

# GROUND EQUIPMENT



**REGBAR**  
CONSTRUCTION TECHNOLOGY SOLUTIONS

**ANCHOR BOLT**

## GROUND EQUIPMENT

# ANCHOR BOLT

### Properties

Benefits of the system:

- ▶ Standard and approved rebar anchor bolt system
- ▶ Approved design parameters
- ▶ Fast delivery directly from stocks
- ▶ Certified manufacture
- ▶ A wide range of products including anchors for all purposes
- ▶ Accessories for fast and easy installation



There are two types of anchors: Long anchors used for inserts and short anchors with head studs used for fastening to foundations. Long anchor bolts transfer the compression and tension forces across the rib dimension of ribbed bars and short anchor bolts transfer them with the combination of head studs and rib bound.

In order to assemble the Regbar Anchor Bolt Reinforcement Anchor System to casting and foundations easily and accurately, Anchor Bolt Installation Templates are provided. Iron Anchor Bolt which is a steel piece casted into



#### HEADQUARTERS

Caferağa Mah. Albay Faik Sözdener Cad.  
No:7/23 Kadıköy - İstanbul - TURKEY  
Phone: +90 216 405 21 55 pbx  
E-mail: info@regbar.com

#### PLANT

Sanayi Mah. İzmit Sanayi Sitesi  
13. Cadde 318 Blok Apt. No: 318/132  
No:9 İzmit - Kocaeli - TURKEY  
Mobile: +90 541 932 37 51

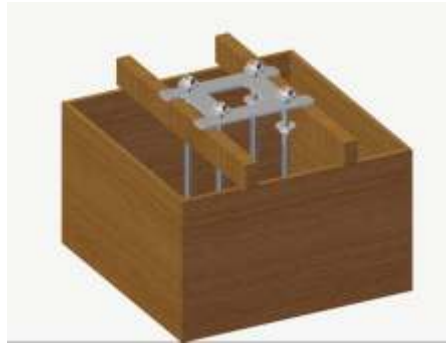
#### RUSSIA BRANCH

Lesnaya Plaza 4, 4th Lesnoy  
Pereulok No: 24/8 125047  
Moscow / RUSSIA

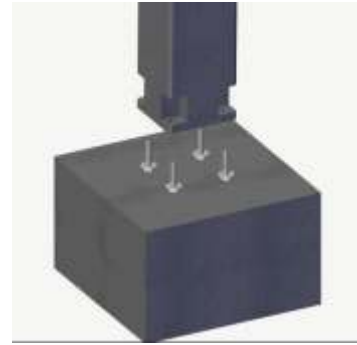




STEP 1



STEP 2

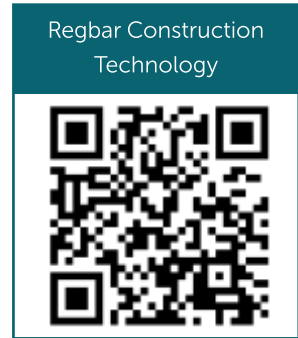


STEP 3

## Detail

Regbar Anchor Bolt Reinforcement Anchor System is used to anchor the concrete or steel structures and machinery to concrete base structures. Product range is suitable for high loading conditions. This multi-purpose anchor bolt is widely approved and adopted.

Regbar Anchor Bolt Reinforcement Anchor Bolt transfer the tension, compression and shear forces to reinforced concrete foundation structure (for example foundations).



Product Code	Bar Sizes			Threading Length A [mm]	Length of Bolt L [mm]	Type	Rebar Diameter Metric [mm]
	Q [mm]	US	Canada				
ANPL12	12	#4	10M	120	700	Straight – L Anchors – J Anchors- Welded Pipe Anchor Bolts	12
ANPL14	14	-	-	130	750		14
ANPL16	16	#5	15M	140	800		16
ANPL18	18	-	-	140	850		18
ANPL20	20	#6	20M	140	1000		20
ANPL22	22	#7	-	150	1100		22
ANPL26	26	#8	25M	170	1160		26
ANPL28	28	#9	30M	170	1200		28
ANPL30	30	-	-	190	1420		30
ANPL32	32	#10	-	190	1420		32
ANPL36	36	#11	35M	200	2000		36
ANPL40	40	-	-	2000	2000		40

### HEADQUARTERS

Caferağa Mah. Albay Faik Sözdener Cad.  
No:7/23 Kadıköy - İstanbul - TURKEY  
Phone: +90 216 405 21 55 pbx  
E-mail: info@regbar.com

### PLANT

Sanayi Mah. İzmit Sanayi Sitesi  
13. Cadde 318 Blok Apt. No: 318/132  
No:9 İzmit - Kocaeli - TURKEY  
Mobile: +90 541 932 37 51

### RUSSIA BRANCH

Lesnaya Plaza 4, 4th Lesnoy  
Pereulok No: 24/8 125047  
Moscow / RUSSIA





# REGBAR

CONSTRUCTION TECHNOLOGY SOLUTIONS



[www.regbar.com](http://www.regbar.com)

[info@regbar.com](mailto:info@regbar.com)

#### HEADQUARTERS

Caferağa Mah. Albay Faik Sözdener Cad.  
No:7/23 Kadıköy - İstanbul - TURKEY

**Phone:** +90 216 405 21 55 pbx

**E-mail:** [info@regbar.com](mailto:info@regbar.com)

#### PLANT

Sanayi Mah. İzmit Sanayi Sitesi  
13. Cadde 318 Blok Apt. No: 318/132

No:9 İzmit - Kocaeli - TURKEY

**Mobile:** +90 541 932 37 51

#### RUSSIA BRANCH

Lesnaya Plaza 4, 4th Lesnoy  
Pereulok No: 24/8 125047

Moscow / RUSSIA