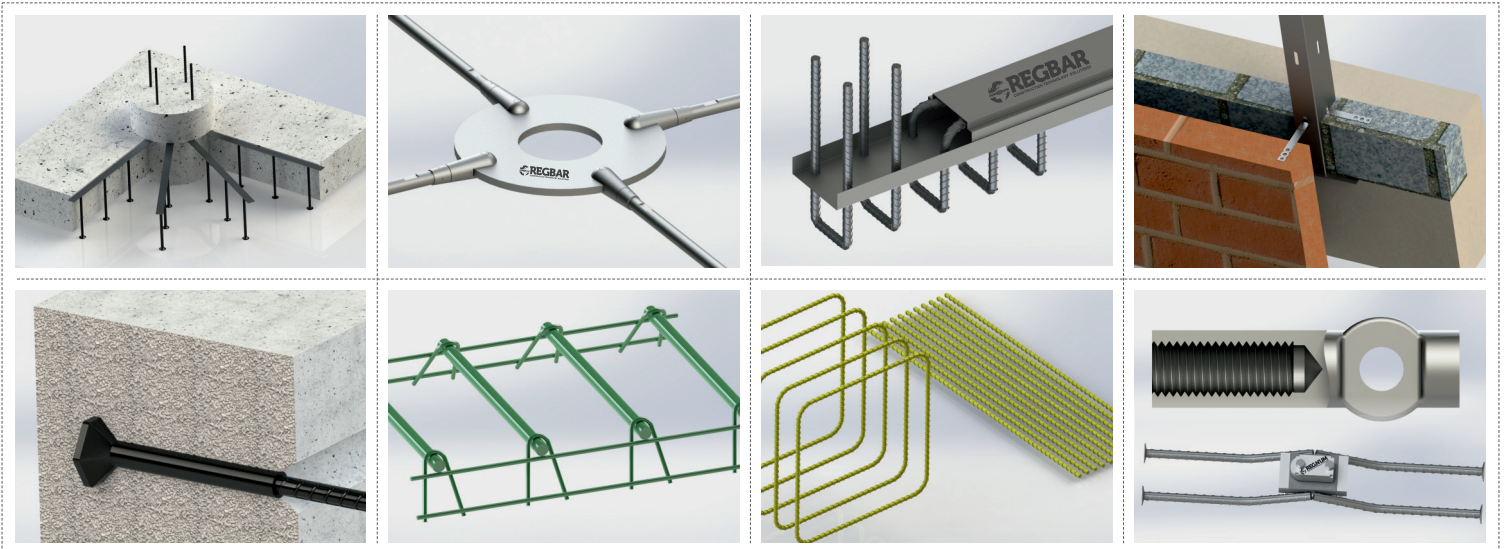


CONSTRUCTION TECHNOLOGY



REGBAR
CONSTRUCTION TECHNOLOGY SOLUTIONS

LIFTING SYSTEM

www.regbar.com / info@regbar.com

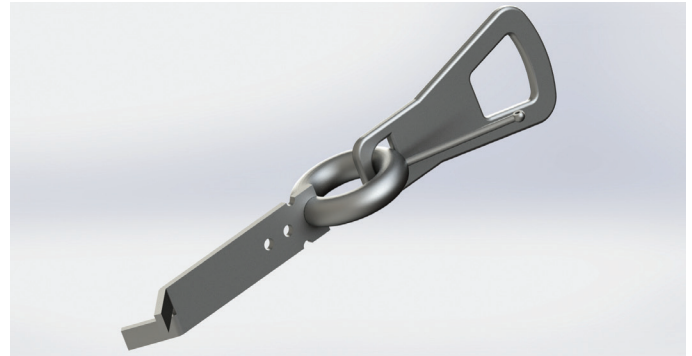
CONSTRUCTION TECHNOLOGY

LIFTING SYSTEM

Regbar Lifting System is used in precast industry and suitable for lifting, transporting and assembling the precast. Some of the advantages of this system are below:

Cast-in Channels

- ▶ A large variety of lifting sockets
- ▶ Simple and secure connection
- ▶ Lifting systems can be reused
- ▶ All Regbar Lifting Systems, has CE marking which guarantees conformity with Europe.
- ▶ Regbar Lifting Systems combines a hoisting anchor embedded in the concrete unit and a lifting device.
- ▶ Regbar Lifting System is in conformity with design for technical instructions, German rule VDI / BV-BS6205.



Lifting Socket - Anchor

Regbar Lifting Socket Anchorages is designed for bearing various precast concrete elements between 1.3 and 15 tons of load range. Anchorage consists of a steel slot that provides the load distributed on the concrete and a press threaded socket.

Upper lifting anchorages are available with a metric thread and round thread.



Lifting Socket - Anchor With Barrier

Lifting Socket with Barrier is composed of a stainless steel (SS) Regbar Bushing and an anchorage leg made of reinforcing steel.

The bushing is processed on both sides and barrier is obtained in the middle. This prevents leakage of water or other abrasive substances.



HEADQUARTERS

Caferağa Mah. Albay Faik Sözdener Cad.
No:7/23 Kadıköy - İstanbul - TURKEY
Phone: +90 216 405 21 55 pbx
E-mail: info@regbar.com

PLANT

Sanayi Mah. İzmit Sanayi Sitesi
13. Cadde 318 Blok Apt. No: 318/132
No:9 İzmit - Kocaeli - TURKEY
Mobile: +90 541 932 37 51

RUSSIA BRANCH

Lesnaya Plaza 4, 4th Lesnoy
Pereulok No: 24/8 125047
Moscow / RUSSIA



Lifting Sling

Lifting Slings can be used with any type of anchor and threaded socket. Suitable for most of the lifting situations, especially in construction site operations. Periodically controlled products are suitable for re-use.

The Gear Lifting Strap should only be assembled on the concrete unit and should be used after the concrete strength reaches 15MPa.



Threaded Swivel Eye

Threaded Swivel Eye can be used for anchors with threaded sockets. They are especially suitable for most lifting situations. They are more suitable for turning and tilting than lifting systems made of steel wire and box.

Threaded Swivel Eye is made of high quality steel and designed with safety factor. Each Lifting System is tested separately on 3 levels of working load and delivered with a unique certificate. Threaded Rotary Eye should only be assembled on the concrete unit and should be used after the concrete strength reaches 15 MPa. Generally they will be disassembled after the concrete elements are assembled. This lifting system is suitable for use with a threaded socket.



Spherical Head Anchor

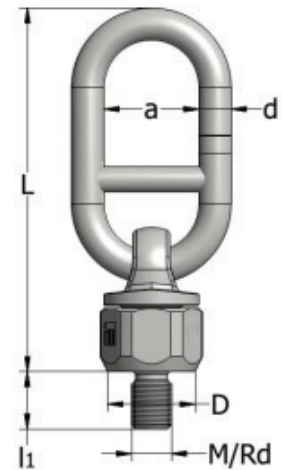
The Spherical Head Anchor is poured with a detachable hole mold to the concrete and can be used to carry the loads in every direction. Anchors with a load capacity of up to 450 KN are available. Universal head lifting connections can be locked in the anchor in seconds to ensure lifting and transport of the unit.



Dimensions

Threaded Swivel Eye

	Metric Thread Size	Axial Load	L	a	d	D
Product Code	[mm]	[kN]	[mm]	[mm]	[mm]	[mm]
RGSW12	12	12	125	34	11	30
RGSW16	16	24	144	38	13	35
RGSW16	20	39	166	45	15	44
RGSW24	24	49	197	49	17	44
RGSW30	30	74	228	60	20	59
RGSW36	36	101	265	64	24	59
RGSW42	42	124	288	68	26	75



HEADQUARTERS

Caferağa Mah. Albay Faik Sözdener Cad.
No:7/23 Kadıköy - İstanbul - TURKEY
Phone: +90 216 405 21 55 pbx
E-mail: info@regbar.com

PLANT

Sanayi Mah. İzmit Sanayi Sitesi
13. Cadde 318 Blok Apt. No: 318/132
No:9 İzmit - Kocaeli - TURKEY
Mobile: +90 541 932 37 51

RUSSIA BRANCH

Lesnaya Plaza 4, 4th Lesnoy
Pereulok No: 24/8 125047
Moscow / RUSSIA



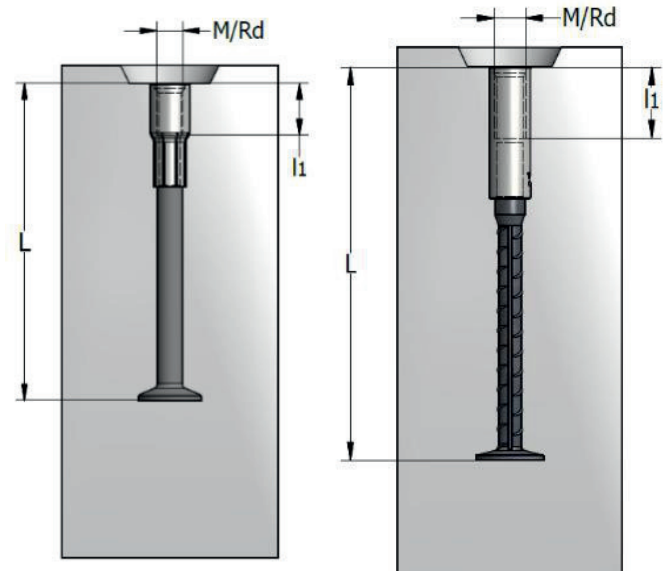
Dimensions

Lifting Socket - Anchor (A)

Product Code	Load Group [t]	Metric Thread Size [mm]	Overall Length L [mm]	Weight [kg/pc]
RGLS12-7	1.3	12	70	0.084
RGLS12-13	1.3	12	130	0.120
RGLS16-9	2.5	16	90	0.195
RGLS16-10	2.5	16	100	0.205
RGLS16-14	2.5	16	140	0.255
RGLS16-17	2.5	16	175	0.301
RGLS16-20	2.5	16	200	0.332
RGLS20-12	4.0	20	125	0.402
RGLS20-13	4.0	20	135	0.423
RGLS20-17	4.0	20	175	0.509
RGLS20-25	4.0	20	258	0.672
RGLS24-15	5.0	24	135	0.588
RGLS24-27	5.0	24	135	0.620
RGLS24-32	5.0	24	135	0.921
RGLS30-18	7.5	30	355	1.044
RGLS30-21	7.5	30	355	1.161
RGLS30-32	7.5	30	355	1.550
RGLS30-40	7.5	30	355	1.816
RGLS36-28	10.0	36	425.5	2.133
RGLS36-37	10.0	36	425.5	2.590
RGLS36-47	10.0	36	425.5	3.066
RGLS42-42	12.5	42	493.5	4.110
RGLS42-55	12.5	42	493.5	5.012

Lifting Socket - Anchor with barrier (B)

Product Code	Load Group [t]	Metric Thread Size [mm]	Overall Length L [mm]	Weight [kg/pc]
RGLSB16-20	2.5	16	200	0.335
RGLSB24-32	5.0	24	325	1.050
RGLSB30-40	7.5	30	400	1.822



Regbar Construction
Technology



HEADQUARTERS

Caferağa Mah. Albay Faik Sözdener Cad.
No:7/23 Kadıköy - İstanbul - TURKEY
Phone: +90 216 405 21 55 pbx
E-mail: info@regbar.com

PLANT

Sanayi Mah. İzmit Sanayi Sitesi
13. Cadde 318 Blok Apt. No: 318/132
No:9 İzmit - Kocaeli - TURKEY
Mobile: +90 541 932 37 51

RUSSIA BRANCH

Lesnaya Plaza 4, 4th Lesnoy
Pereulok No: 24/8 125047
Moscow / RUSSIA



REGBAR

CONSTRUCTION TECHNOLOGY SOLUTIONS



www.regbar.com

info@regbar.com

HEADQUARTERS

Caferağa Mah. Albay Faik Sözdener Cad.
No:7/23 Kadıköy - İstanbul - TURKEY
Phone: +90 216 405 21 55 pbx
E-mail: info@regbar.com

PLANT

Sanayi Mah. İzmit Sanayi Sitesi
13. Cadde 318 Blok Apt. No: 318/132
No:9 İzmit - Kocaeli - TURKEY
Mobile: +90 541 932 37 51

RUSSIA BRANCH

Lesnaya Plaza 4, 4th Lesnoy
Pereulok No: 24/8 125047
Moscow / RUSSIA